

Order picking truck 1.2 ton

OPTIO

L-series

OSE120

OSE120P



Order picking truck

Truck specifications					OSE120	OSE120P
Identification	1.1	Manufacturer			Toyota	Toyota
	1.2	Model			OSE120	OSE120P
	1.3	Drive			Electric	Electric
	1.4	Operator type			Stand on	Stand on
	1.5	Load capacity/rated load	Q	kg	1200	1200
	1.6	Load centre	c	mm	600	600
	1.8	Load distance, centre of support arm wheel to face of fork	x	mm	858*	858*
	1.9	Wheelbase	y	mm	2129*	2129*
	Weight	2.1	Service weight including battery		kg	970*
2.2		Axle load, with load, front/rear		kg	760*/1410*	830*/1470*
2.3		Axle load, without load, front/rear		kg	610*/360*	700*/400*
Wheels	3.1	Drive / castor / fork wheels			Polyurethane	Polyurethane
	3.2	Wheel size, front (drive)		mm	Ø 230x82	Ø 230x82
	3.3	Wheel size, rear		mm	Ø 85x74	Ø 85x74
	3.4	Additional wheels, size (castor)		mm	Ø 150x78	Ø 150x78
	3.5	Wheels, number front/rear (x= driven wheels)			1x + 1/4	1x + 1/4
	3.6	Track width, front	b ₁₀	mm	495	495
	3.7	Track width, rear	b ₁₁	mm	370*	370*
Dimensions	4.4	Lift	h ₃	mm	715	715
		Lift height	h ₂₃	mm	800	800
	4.8	Stand height	h ₇	mm	130	130/1195
	4.9	Height of tiller in drive position	h ₁₄	mm	TBD	TBD
	4.15	Height, fork lowered	h ₁₃	mm	85	85
	4.19	Overall length	l ₁	mm	2641*	2641*
	4.20	Length to face of forks	l ₂	mm	1489*	1489*
	4.21	Overall width	b ₁	mm	790	790
	4.22	Fork dimensions	s/e/l	mm	70/180/1150*	70/180/1150*
	4.25	Width over forks	b ₅	mm	550*	550*
	4.32	Ground clearance, center of wheelbase	m ₂	mm	22	22
	4.34.2	Aisle width for pallets 800 × 1200	A _{st}	mm	3094*	3094*
	4.35	Turning radius	W _a	mm	2368*	2368*
		Clear width driver compartment entrance	l ₂₄	mm	458	420
Performance data	5.1	Travel speed, with/without load, forward		km/h	7*/12	7*/12
		Travel speed, with/without load, backwards		km/h	6/10,5	6/10,5
	5.2	Lift speed, with /without load		m/s	0,03/ 0,05	0,05/ 0,07
	5.3	Lowering speed, with/without load		m/s	0,07/ 0,03	0,15/ 0,04
	5.8	Max. gradeability, with/without load		%	5/5	5/5
	5.9	Acceleration time (over 10 m) (without/ with load)		s	4,5/5,9	4,5/5,9
	5.10	Service brake			Electromagnetic	Electromagnetic
Electric motor	6.1	Drive motor rating (S2)		kW	2,8	2,8
	6.2	Lift motor rating (S3 7%)		kW	2,0	2,0
	6.4	Battery voltage, nominal capacity K ₅		V/Ah	24/300*	24/300*
	6.5	Battery weight (min/max)		kg	190/285*	190/285*
	6.6	Energy consumption acc to EN16796		kWh/h	TBD	0,30
	6.7	Turnover output		t/h	TBD	108
	6.8	Energy consumption at turnover output		kWh/h	TBD	1,24
	Other	8.1	Type of drive control			Variable AC
10.7		Sound level at the driver's ear according to EN12053		dB(A)	TBD	TBD

*) Further alternatives are available and will produce other values. Data is based on a configuration with Fork length 1150mm, Fork width 550mm, Small battery compartment, Lead acid battery.

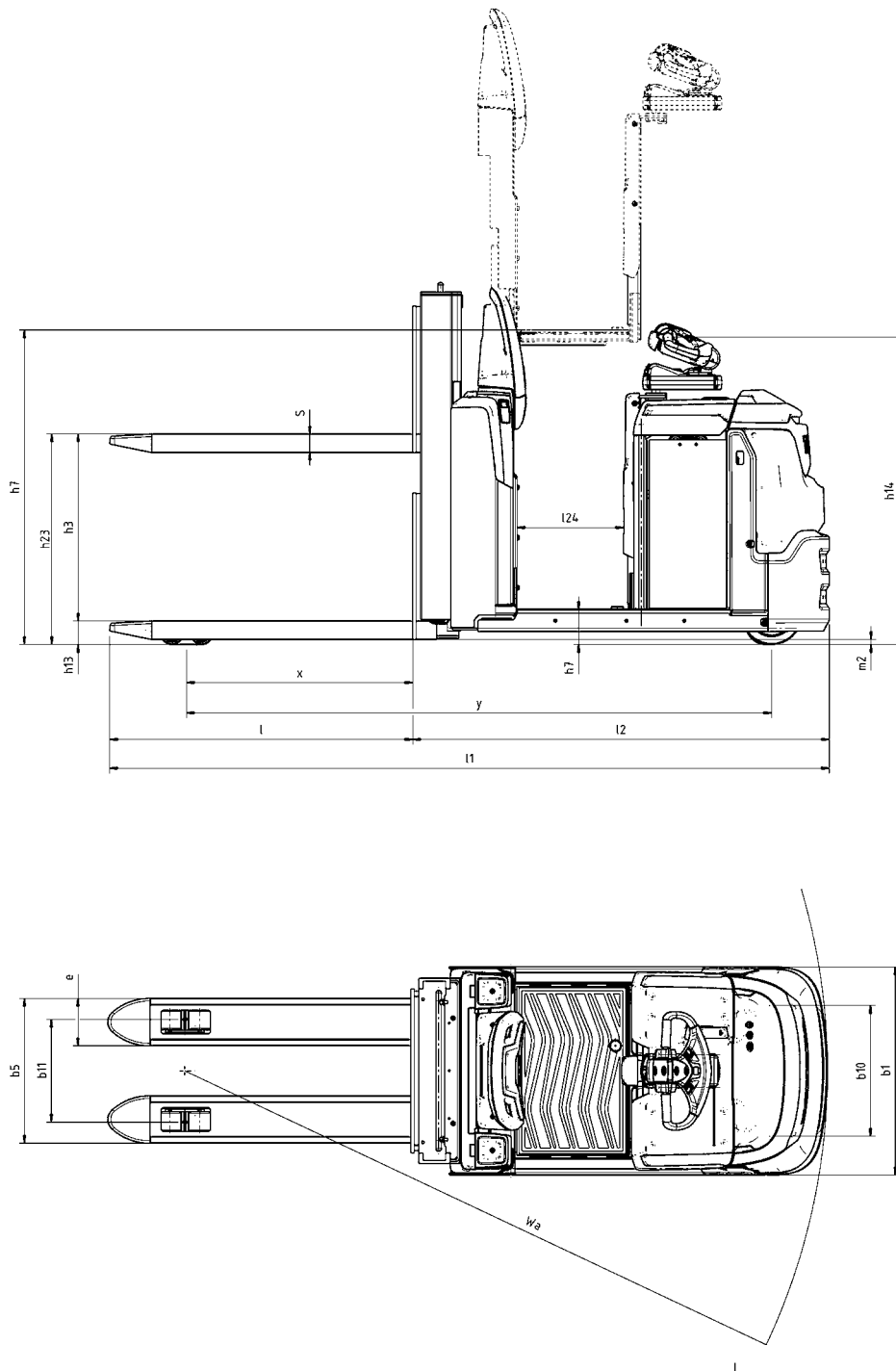
All data are based on table configuration. Other configurations may give other values.

Truck performance and dimensions are nominal and subject to tolerances.

Toyota Material Handling Manufacturing Sweden AB products and specifications are subject to change without notice.

Dimensional drawings

OPTIO



Truck features:

- High performance models
- Ergonomic picking height with lifting forks
- E-man steering concept
- Low step-in
- Wide operator space
- Multiple storage compartments
- Platform lift model
- Integrated warning lights (option)
- Integrated daytime running lights (option)
- Walkie buttons (option)
- T-mote (option)
- Vibration damped floor (option)
- E-bar option for easy access to picking devices
- Easy battery access
- Wide battery range with Lead-Acid and Li-Ion



TMHE-Toyota Material Handling Europe, version 2, 2025-09-23

TOYOTA

MATERIAL HANDLING